

**Digital Handheld Series DM-535**

- RH, Temperature, Dewpoint and Absolute Humidity all in one glance
- 2 x 16 character LCD
- Small, lightweight, portable and affordable
- Equipped with HT-932 (RS-232) probe
- Long battery life
- Simple to operate
- Available in °F or °C



The DM-535 is a rugged, hand-held, battery operated thermo-hygrometer, designed for portability and easy use.

The unit features a large high contrast 0.4" (10 mm) LCD display, with low battery indication. It will provide up to 200 hours of continuous operation on a 9V alkaline battery. Automatic power-off function saves battery life.

The standard probe, included with the DM-535, is a Rense HT-932, which provides output in RS-232 format.

The sensing elements used in the probe directly measure RH and temperature, from which absolute humidity and dewpoint are calculated. The RS-232 output permits simultaneous and continuous readout of RH,

absolute humidity, temperature and dewpoint on a 2-line LCD.

The RS-232 probe can be replaced without the need for recalibration.

Options include dust filters and a leather carrying case to protect the instrument. See ordering information below for available options.



DM-535 Display

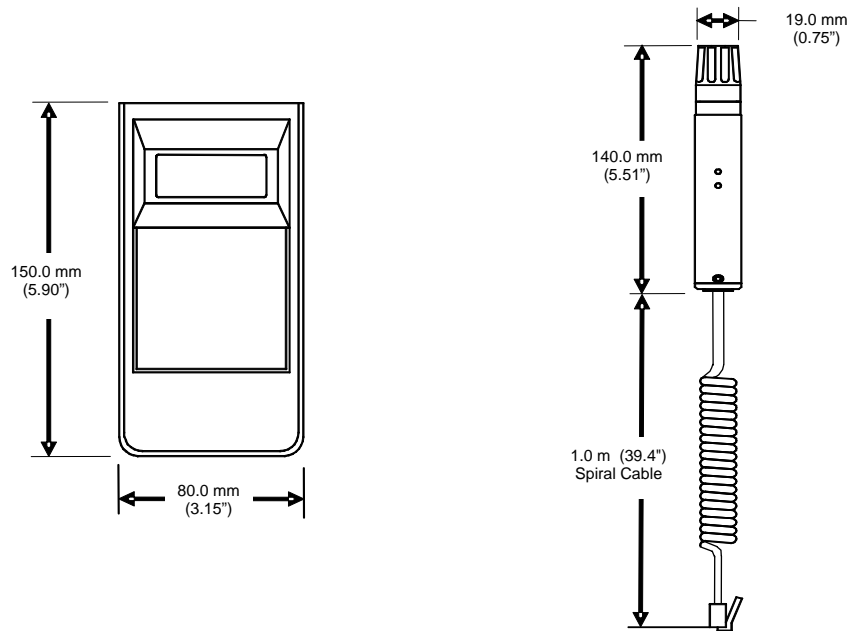
**Ordering Information**

Model	Description
DM-535C	Hand-held meter with HT-932 probe, temp. in °C
DM-535F	Hand-held meter with HT-932 probe, temp. in °F
Part number	Accessories
A-000160	Leather carrying case
A-000014	PVDF filter
A-000021	Protection cap with wire-mesh filter
A-000026	Sintered SS dust filter, arrow shape

# Digital Handheld DM-535

Relative Humidity	
Measuring range %RH	0 to 100% RH
Working range %RH	1 to 95% RH
Resolution %RH	0.1% RH
Accuracy, RH @23 °C	± 2% RH
Stability, RH	± 1% RH per year
Temperature effects	0.05 %RH per °C typical
Response time	10 sec for 90% deviation (flow 3 ft/s)
Temperature	
Working Range, Temperature (probe)	-20 to +80 °C (-4 to 176°F)
Working Range, Temperature (meter)	0 to +60 °C (32 to 140°F)
Accuracy, Temperature	± 0.3 °C (0.5 °F) + 1 digit
Dewpoint	
Measuring Range, Dewpoint	-40 to +80 °C (-40 to 176°F)
Accuracy, Dewpoint	Depends on measured value (graph available)
Absolute Humidity	
Measuring Range, Absolute humidity	0.1 to 262 g/m <sup>3</sup>
Accuracy, Absolute humidity	Depends on measured value (graph available)
Power supply	9 VDC Alkaline battery
Auto-Power off	Approximately 12 minutes
Battery life	Approximately 200 hours (alkaline battery)
Weight	0.44 lbs (0.2 Kg)
Protection grade	Electronics IP32, sensor IP20

All specifications are subject to change without prior notice.



HEAD OFFICE



*Process Measurement & Controls, Inc.*  
**Rense Instruments Division**

11 Old Sugar Hollow Road  
 Danbury, CT 06810 U.S.A.  
 Tel: 203-792-8686  
 Fax: 203-743-2051  
 Email: sales@renseinstruments.com  
 www.renseinstruments.com

Represented By: